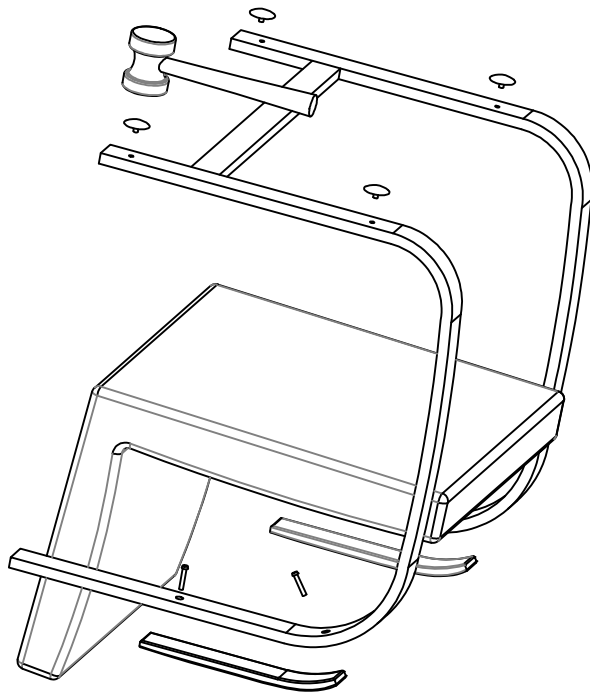
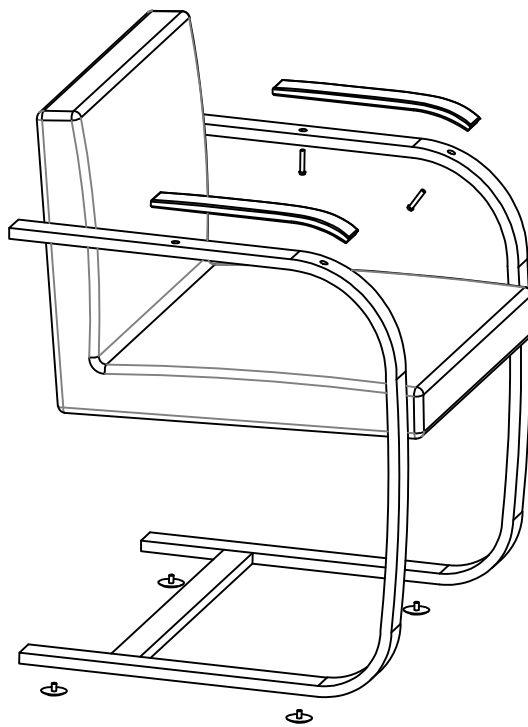


Arlo chair Assembly Instructions



1. Hit the 4 glides into the holes with a rubber mallet.



2. With an allen head tool, screw on the arm pads to the frame.